

MOLDED CUSTOM PRODUCTS

Designed and Manufactured by Craftech Industries.

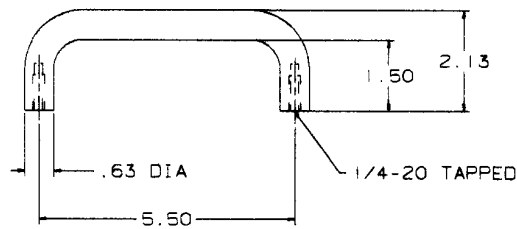
CORROSION RESISTANT HANDLES

Available in the following material:

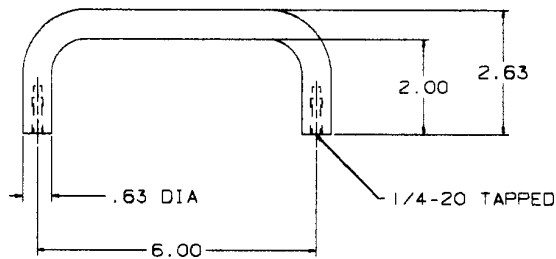
| Material Code No. | Material Name |
|-------------------|--|
| -46 | Polycarbonate, (clear) |
| -113 | Polypropylene, 40% Glass-filled, (black) |
| -116 | Polypropylene, 40% Glass-filled, (white) |
| -741 | Isoplast™, 40% Long Glass Fiber, (black) |
| -827 | Isoplast™, 40% Long Glass Fiber, (white) |

Handles are also available in a variety of colors.

Part No. HD200 - (Size Code No.) - (Material Code No.)

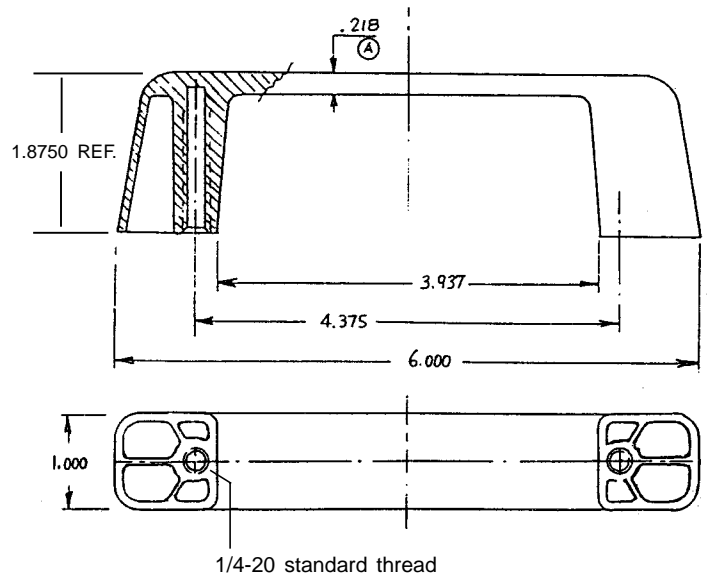


Size Code No. -2



Size Code No. -3

Part No. HD100 - 10 - (Material Code No.)



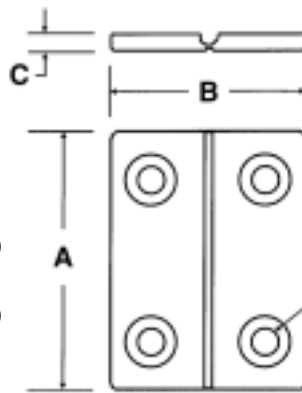
“LIVING” HINGE

This one-piece, flexure hinge has a variety of hole choices to further expand fastening applications. Countersunk holes accommodate a screw size more robust than competitors’ hinges giving end users a stronger fastened hinge.

All “Living” Hinges regardless of size and color have a VO flammability rating.

Available in the following material:

| Material Code No. | Material Name |
|-------------------|---|
| -147 | Polypropylene, UV Stabilized, Flame Retardant (white) |
| -118 | Polypropylene, UV Stabilized, Flame Retardant (black) |
| -119 | Polypropylene, Flame Retardant (white) |



Size Code Nos. 1-3 have holes countersunk for #8 flatheads.
 Size Code Nos. 4-12 have holes countersunk for #10 flatheads.
 Also available without countersink or hole.

Part No. HG400 - (Size Code No.)

| Size Code No. | Hinge Dimensions | | | Hole |
|---------------|------------------|-------|-----|------------------|
| | A | B | C | |
| -1 | 1-1/2 | 1 | 1/8 | Countersunk Hole |
| -2 | 1-1/2 | 1 | 1/8 | Plain Hole |
| -3 | 1-1/2 | 1 | 1/8 | No Hole * |
| -4 | 2 | 1-1/2 | 1/8 | Countersunk Hole |
| -5 | 2 | 1-1/2 | 1/8 | Plain Hole |
| -6 | 2 | 1-1/2 | 1/8 | No Hole * |
| -7 | 2-1/2 | 2 | 1/8 | Countersunk Hole |
| -8 | 2-1/2 | 2 | 1/8 | Plain Hole |
| -9 | 2-1/2 | 2 | 1/8 | No Hole * |
| -10 | 3 | 2-1/2 | 1/8 | Countersunk Hole |
| -11 | 3 | 2-1/2 | 1/8 | Plain Hole |
| -12 | 3 | 2-1/2 | 1/8 | No Hole * |

*Can be furnished with no holes for welding.

PLASTIC HINGES

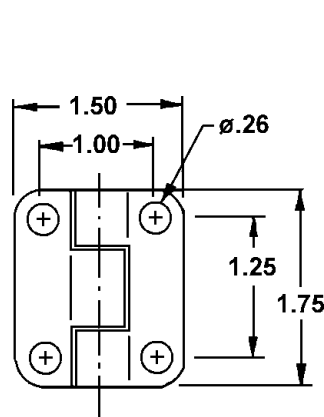
Available in the following material:

| Material Code No. | Material Name |
|-------------------|---|
| -46 | Polycarbonate, (clear) |
| -113 | Polypropylene, 40% Glass-filled, (black) |
| -116 | Polypropylene, 40% Glass-filled, (white) |
| -824 | Isoplast™, 30% Short Glass Fiber, (natural) |
| -825 | Isoplast™, 30% Short Glass Fiber, (black) |
| -826 | Isoplast™, 30% Short Glass Fiber, (white) |

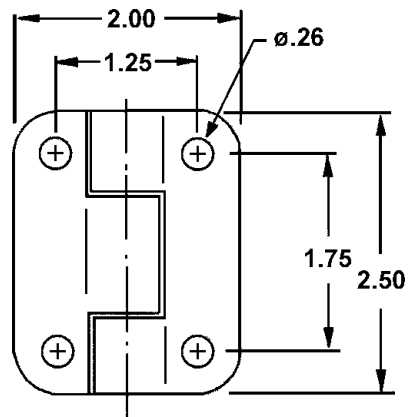
Handles are also available in a variety of colors.

Part No. HG100 - (Size Code No.) - (Material Code No.)

| Size Code No. | Hinge Dimensions |
|---------------|------------------|
| -10 | 1 1/2 x 1 3/4" |
| -20 | 2 x 2 1/2" |



Size Code No. -10



Size Code No. -20

LIFT-OFF HINGE

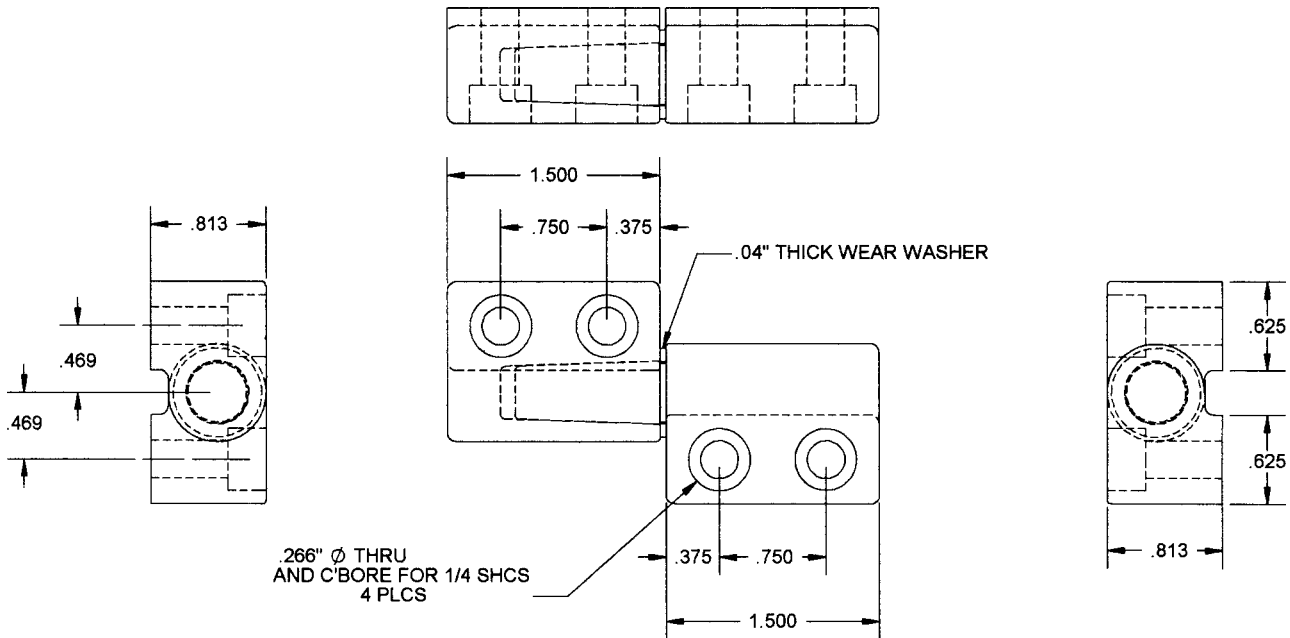
Available in the following material:

| Material Code No. | Material Name |
|-------------------|---|
| -113 | Polypropylene, 40% Glass-filled, (black) |
| -116 | Polypropylene, 40% Glass-filled, (white) |
| -825 | Isoplast™, 30% Short Glass Fiber, (black) |
| -826 | Isoplast™, 30% Short Glass Fiber, (white) |

Colors and other materials including fiber-filled materials available upon request.

Part No. HG300 - 10 (right) - (Material Code No.)

Part No. HG300 - 11 (left) - (Material Code No.)



PLASTIC HINGES

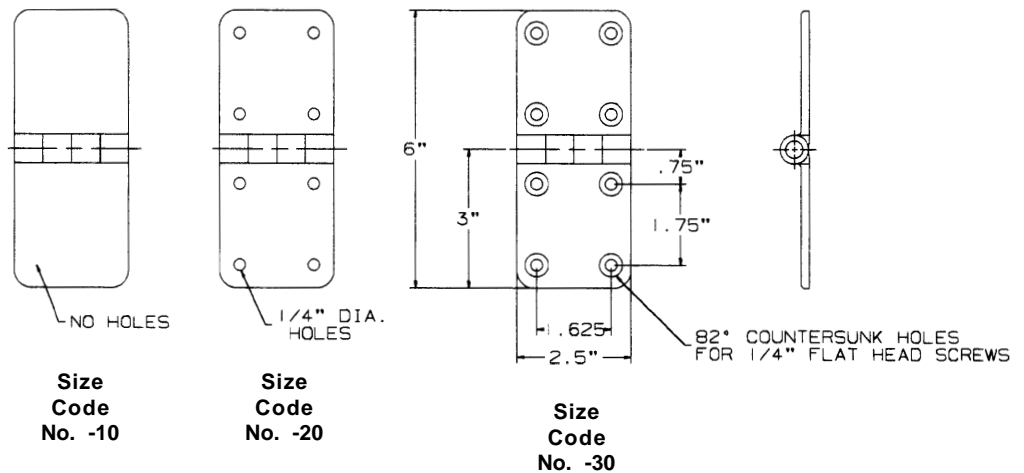
Available in the following material:

| Material Code No. | Material Name |
|-------------------|---|
| -113 | Polypropylene, 40% Glass-filled, (black) |
| -116 | Polypropylene, 40% Glass-filled, (white) |
| -824 | Isoplast™, 30% Short Glass Fiber, (natural) |
| -825 | Isoplast™, 30% Short Glass Fiber, (black) |
| -826 | Isoplast™, 30% Short Glass Fiber, (white) |

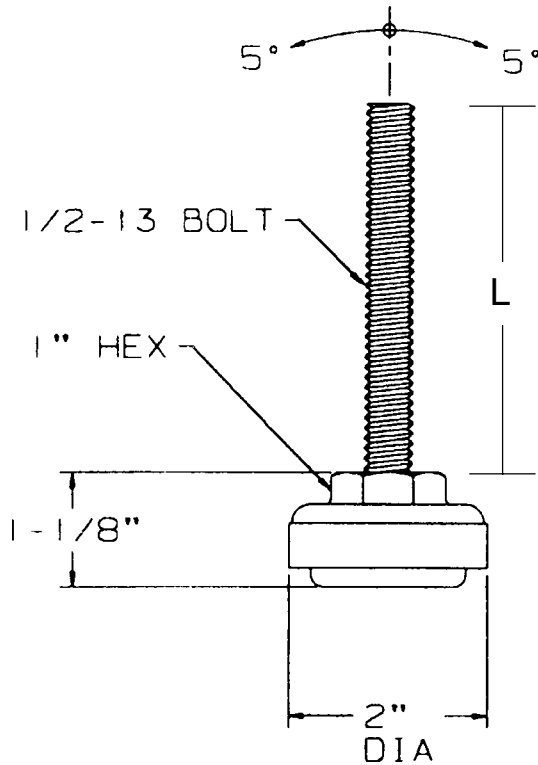
Handles are also available in a variety of colors.

Part No. HG200 - (Size Code No.) - (Material Code No.)

| Size Code No. | Hinge Description |
|---------------|-------------------|
| -10 | No Holes |
| -20 | 1/4" Dia. Holes |
| -30 | Countersunk Holes |



LEVELING FOOT with Stainless Steel Swiveling Screw



1/2-13 SELF-LEVELING FOOT

Part No. FT200 - (Size Code No.) - (Material Code No.)

Available in the following materials:

| Material Code No. | Material Name |
|-------------------|------------------------------------|
| -124 | Polypropylene, Hi-Impact (natural) |
| -124WH | Polypropylene, Hi-Impact (white) |

Foot is also available in a variety of colors.

| Size Code No. | Screw Length |
|---------------|--------------|
| -1 | 2-1/4" |
| -5 | 2-1/2" |
| -10 | 8-1/2" |

Other lengths available.
Screw is 316 stainless steel.
Stainless steel screw can be coated upon request.

Recommended maximum weight load per foot: 700lbs