

EYE BOLTS

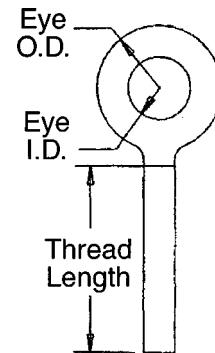
Available in the following materials:

Material Code No.	Material Name
-60	Nylon 6/6, 30% Short Glass-filled
-74	Isoplast™, 40% Long Glass Fiber, (natural)
-111	Polypropylene, Glass-filled

EYE BOLTS

Part No. B199 - (Size Code No.) - (Material Code No.)

Size Code No.	Thread Size	Thread Length	Size Code No.	Thread Size	Thread Length	Size Code No.	Thread Size	Thread Length
-10	1/4 - 20	0.750"	-50	3/8 - 16	1.000"	-100	1/2 - 13	1.750"
-15	1/4 - 20	0.875"	-55	3/8 - 16	1.250"	-110	5/8 - 11	0.750"
-20	1/4 - 20	1.000"	-60	3/8 - 16	1.500"	-115	5/8 - 11	0.875"
-25	1/4 - 20	1.250"	-70	1/2 - 13	0.750"	-120	5/8 - 11	1.000"
-30	1/4 - 20	1.500"	-75	1/2 - 13	0.875"	-125	5/8 - 11	1.250"
-40	3/8 - 16	0.750"	-80	1/2 - 13	1.000"	-140	5/8 - 11	1.750"
-45	3/8 - 16	0.875"	-85	1/2 - 13	1.250"			



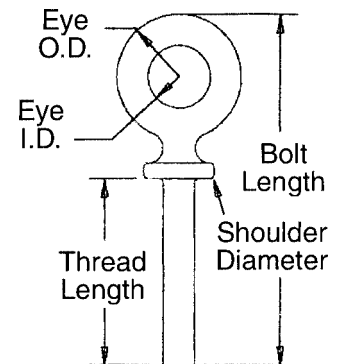
EYE BOLT

Size	Eye I.D.	Eye O.D.
1/4 - 20	0.500"	1.000"
3/8 - 16	0.750"	1.500"
1/2 - 13	1.000"	2.000"
5/8 - 11	1.250"	2.500"

SHOULDER EYE BOLTS

Part No. B203 - (Size Code No.) - (Material Code No.)

Size Code No.	Thread Size	Thread Length	Size Code No.	Thread Size	Thread Length	Size Code No.	Thread Size	Thread Length
-10	1/4 - 20	0.750"	-50	3/8 - 16	1.000"	-110	5/8 - 11	0.750"
-15	1/4 - 20	0.875"	-60	3/8 - 16	1.500"	-115	5/8 - 11	0.875"
-20	1/4 - 20	1.000"	-70	1/2 - 13	0.750"	-120	5/8 - 11	1.000"
-25	1/4 - 20	1.250"	-75	1/2 - 13	0.875"	-125	5/8 - 11	1.250"
-30	1/4 - 20	1.500"	-80	1/2 - 13	1.000"	-140	5/8 - 11	1.750"
-40	3/8 - 16	0.750"	-85	1/2 - 13	1.250"			
-45	3/8 - 16	0.875"	-100	1/2 - 13	1.750"			



SHOULDER EYE BOLT

Size	Eye I.D.	Eye O.D.	Shoulder Dia.
1/4 - 20	0.500"	1.000"	0.563"
3/8 - 16	0.750"	1.500"	0.813"
1/2 - 13	1.000"	2.000"	1.125"
5/8 - 11	1.250"	2.500"	1.250"

EXTENDED REACH U-BOLTS

"Extended reach" u-bolts are available in 6 different sizes (see drawings and charts below).

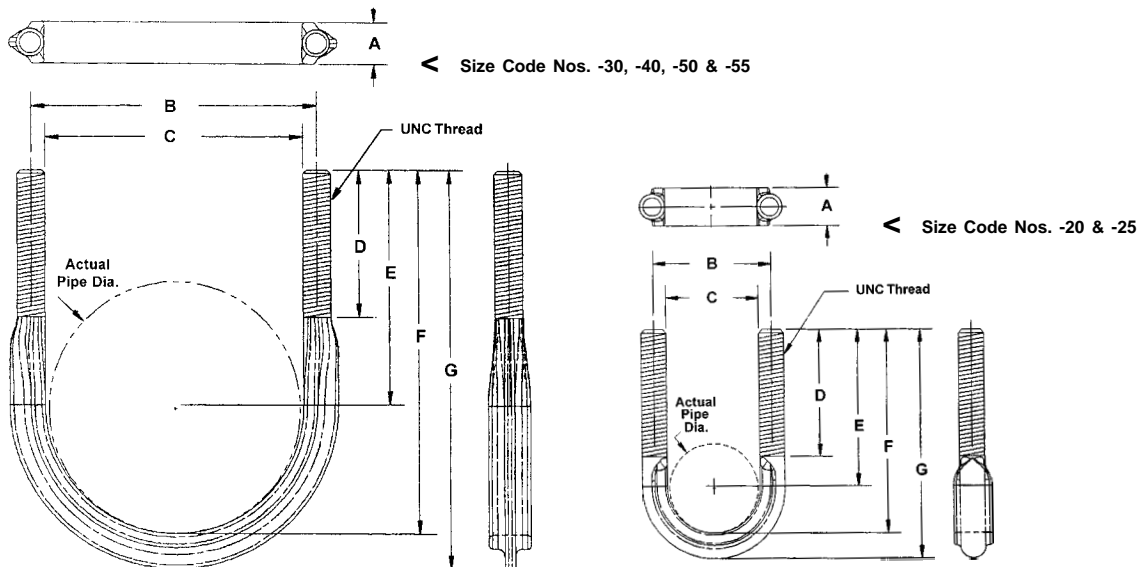
Material offered gives u-bolts corrosion resistance and strength.

Available in the following materials:

Material Code No.	Material Name
-81	Isoplast™, 40% Long Glass Fiber, (grey)

Part No. B300 - (Size Code No.) - 81

Size Code No.	U-Bolt Size	A	B	C	D	E	F	G	Pipe DIA	UNC Thrd
-20	1"	9/16	1-3/4	1-3/8	1-7/8	2-5/16	3	3-3/8	1.315	3/8-16
-25	1-1/2"	9/16	2-3/8	2	2-1/8	2-21/32	3-21/32	4-1/32	1.900	3/8-16
-30	2"	3/4	2-15/16	2-7/16	2-3/8	3-5/32	4-3/8	5	2.375	1/2-13
-40	3"	3/4	4-1/8	3-5/8	2-5/8	3-11/16	5-1/2	6-1/8	3.500	1/2-13
-50	4"	3/4	5-1/8	4-5/8	2-5/8	4-3/16	6-1/2	7-1/8	4.500	1/2-13
-55	6"	7/8	7-3/8	6-3/4	3-1/4	5-3/4	9-1/8	9-7/8	6.625	5/8-11



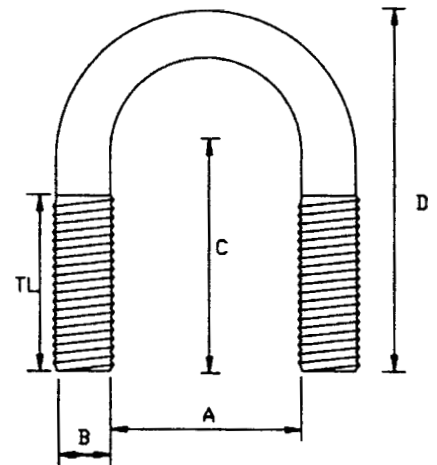
U-BOLTS

Available in the following materials:

Material Code No.	Material Name
-81	Isoplast™, 40% Long Glass Fiber, (grey)

Part No. BU220 - (Size Code No.) - 81

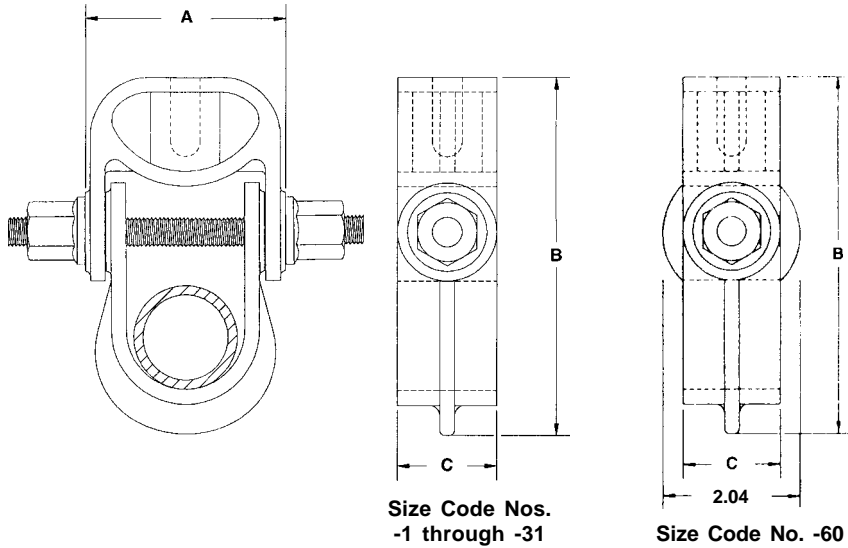
Size Code No.	Pipe Nom. Dia. (in.)	Dimensions					Load Ratings	
		A	B	C	D	TL	Maximum Rec. Loading (lbs.)	Maximum Rec. Torque (in/lbs.)
-1	1/2	0.93	0.375	1.56	2.41	1.25	75	20
-2	3/4	1.12	0.375	1.66	2.60	1.25	75	20
-3	1	1.37	0.375	1.78	2.85	1.25	75	20
-4	1 1/4	1.68	0.375	1.94	3.16	1.25	75	20
-5	1 1/2	2.00	0.375	2.10	3.47	1.25	75	20
-6	2	2.43	0.500	2.46	4.18	1.50	150	40
-7	2 1/2	2.93	0.500	2.71	4.68	1.50	150	40
-8	3	3.56	0.500	3.03	5.31	1.50	150	40
-9	3 1/2	4.06	0.500	3.28	5.81	1.50	150	40
-10	4	4.56	0.500	3.53	6.31	1.50	150	40



PIPE HANGER

Available in the following materials:

Material Code No.	Material Name
-74	Isoplast™, 40% Long Glass Fiber, (natural)
-81	Isoplast™, 40% Long Glass Fiber, (Gray)
-218	Ryton, PPS, 40% Glass-filled, Fire Retardant, (black)



Part No. PH100 - (Size Code No.) - (Material Code No.)

Size Code No.	Size (inches)	A	B	C	Tapped
-1	3/4 to 1	2.53	4.52	1.25	3/8
-2	3/4 to 1	2.53	4.52	1.25	1/2
-15	1-1/4 to 1-1/2	3.06	5.14	1.25	3/8
-16	1-1/4 to 1-1/2	3.06	5.14	1.25	1/2
-20	2	3.68	6.52	1.25	3/8
-21	2	3.68	6.52	1.25	1/2
-30	3 to 4	7.04	10.00	1.50	1/2
-31	3 to 4	7.04	10.00	1.50	3/8
-60	6	9.36	12.33	1.50	1/2

BEAM CLAMPS

Material Code No. **Standard Material**
 -830 Isoplast™, 60% Long Glass Fiber, (natural)

Part No. BHX200 - (Size Code No.) - (Material Code No.)

Size Code No.	Size
-1	3/8-16
-2	1/2-13
-3	5/8-11
-4	M10 x 1.5
-5	M12 x 1.75
-6	M16 x 2

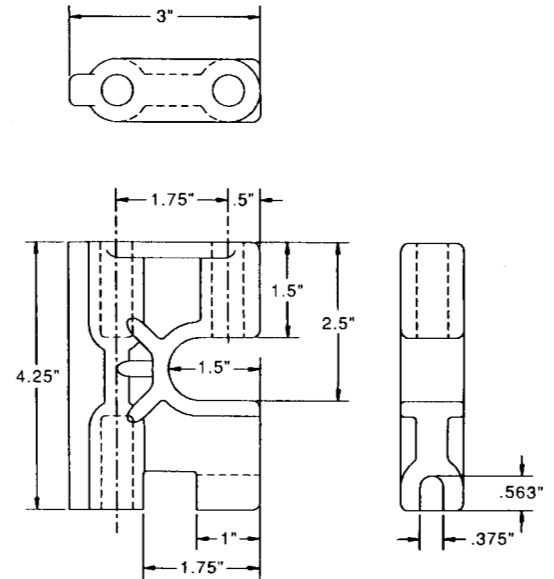
- 700 lb. Max Load Rating
- 2100 lb. Ultimate Load
- Chemically Resistant
- Reversible
- Weather Resistant
- Corrosion Resistant
- Unaffected by Sunlight

For use with 3/8-16, 1/2-13, 5/8-11, M10 x 1.5, M12 x 1.75 or M16 x 2 Threaded Rod or stainless steel Hex Head Cap Screws.

Threaded Rod and stainless steel Hex Head Cap Screws not included.

For Threaded Rod, (Part No. D200), see page 219 in this catalog.
 For stainless steel Hex Head Cap Screws (Part No. BHX201) see next page.

Hex Head Cap Screws used for BHX200 are 2-1/2" in length.



BEAM CLAMP, Small

Part No. BHX202 - (Size Code No.) - (Material Code No.)

Size Code No.	Size
-1	3/8-16
-2	1/2-13
-6	M10 x 1.5
-7	M12 x 1.75

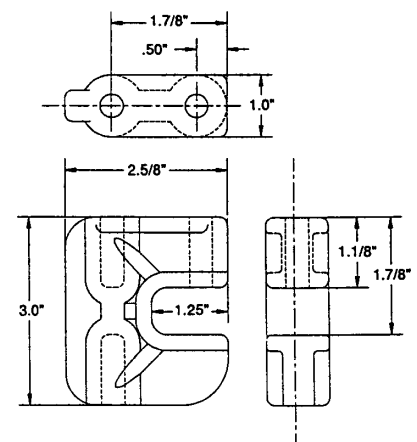
- 600 lb. Max Load Rating
- 1800 lb. Ultimate Load
- Chemically Resistant
- Reversible
- Weather Resistant
- Corrosion Resistant
- Unaffected by Sunlight

For use with 3/8-16, 1/2-13, M10 x 1.5 and M12 x 1.75 Threaded Rod or stainless steel Hex Head Cap Screws.

Threaded Rod and stainless steel Hex Head Cap Screws not included.

For Threaded Rod, (Part No. D200), see page 219 in this catalog.
 For stainless steel Hex Head Cap Screws (Part No. BHX201) see next page.

Hex Head Cap Screws used for BHX202 are 2" in length.

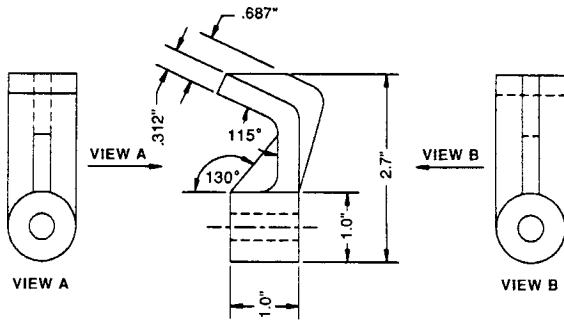


MOLDED CUSTOM PRODUCTS (continued)

BEAM CLIP, available with Beam Clamp

Material Code No. **Standard Material**
 -830 Isoplast™, 60% Long Glass Fiber, (natural)

Part No. BHX210



- Chemically Resistant
- Reversible
- Weather Resistant
- Corrosion Resistant
- Water Proof
- Unaffected by Sunlight

HEX HEAD CAP SCREW

Standard Material:
 316 Stainless Steel

Part No. BHX201 - (Size Code No.)

Size Code No.	Size	Size Code No.	Size
-1	3/8-16 x 2	-6	M10 x 1.5 x 50mm
-2	3/8-16 x 2-1/2	-7	M10 x 1.5 x 60mm
-3	1/2-13 x 2	-8	M12 x 1.75 x 50mm
-4	1/2-13 x 2-1/2	-9	M12 x 1.75 x 60mm
-5	5/8-11 x 2-1/2	-10	M16 x 2 x 60mm

THREADED ROD

Standard Material:
 Fiberglass, Vinyl Ester (-214)

Part No. D201 - (Size Code No.) - 214

Size Code No.	Size
-1	3/8-16
-6	1/2-13
-8	5/8-11
-10	3/4-10
-12	1-8