

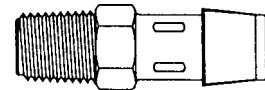
NYLON, POLYPROPYLENE and POLYETHYLENE TUBE/HOSE FITTINGS

*Clamps (see page 311) required for use with these barbed fittings (pages 305-310).
Place clamp behind barb and over rotational device. Flexible hose/tubing is recommended*

Available in the following materials:

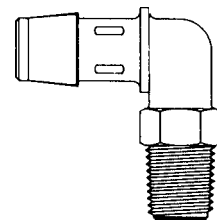
Material Code No.	Material Name	Material Code No.	Material Name
-2	Glass-filled Nylon, (black)	-78	Nylon 6/6, (black)
-11	Polypropylene, (natural)	-79	Polypropylene, (white)
-13	High Density Polyethylene, (natural)	-215	Nylon 6/6, (white)
-18	Nylon 6/6, (natural)		

THREADED BARBED ADAPTER



Part No. O380 - (Size Code No.) - (Material Code No.)

Size Code No.	Hose I.D.	Thread Size	Size Code No.	Hose I.D.	Thread Size	Size Code No.	Hose I.D.	Thread Size
-100	1/16	10-32 UNF	-114	5/32	1/8 NPT	-7	3/8	3/8 NPT
-101	3/32	10-32 UNF	-115	3/16	1/8 NPT	-8	1/2	3/8 NPT
-102	1/8	10-32 UNF	-1	1/4	1/8 NPT	-9	1/4	1/2 NPT
-103	5/32	10-32 UNF	-116	5/16	1/8 NPT	-10	3/8	1/2 NPT
-104	1/16	10-32 Taper	-2	3/8	1/8 NPT	-11	1/2	1/2 NPT
-105	3/32	10-32 Taper	-20	1/8	1/4 NPT	-117	5/8	1/2 NPT
-106	1/8	10-32 Taper	-21	5/32	1/4 NPT	-12	3/4	1/2 NPT
-107	5/32	10-32 Taper	-22	3/16	1/4 NPT	-13	1/4	3/4 NPT
-108	1/16	1/4-28	-3	1/4	1/4 NPT	-14	3/8	3/4 NPT
-109	3/32	1/4-28	-30	5/16	1/4 NPT	-15	1/2	3/4 NPT
-110	1/8	1/4-28	-4	3/8	1/4 NPT	-150	5/8	3/4 NPT
-111	5/32	1/4-28	-5	1/2	1/4 NPT	-16	3/4	3/4 NPT
-112	3/16	1/4-28	-6	1/4	3/8 NPT	-17	1	3/4 NPT
-113	1/8	1/8 NPT	-60	5/16	3/8 NPT	-18	1	1 NPT



90° BARBED ELBOW

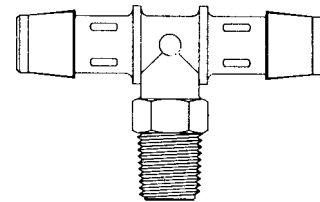
Part No. O381 - (Size Code No.) - (Material Code No.)

Size Code No.	Hose I.D.	Thread Size	Size Code No.	Hose I.D.	Thread Size	Size Code No.	Hose I.D.	Thread Size
-100	1/16	10-32 UNF	-21	1/8	1/4 NPT	-10	3/8	1/2 NPT
-101	3/32	10-32 UNF	-22	5/32	1/4 NPT	-11	1/2	1/2 NPT
-102	1/8	10-32 UNF	-23	3/16	1/4 NPT	-111	5/8	1/2 NPT
-103	1/16	10-32 Taper	-3	1/4	1/4 NPT	-12	3/4	1/2 NPT
-104	3/32	10-32 Taper	-30	5/16	1/4 NPT	-13	1/4	3/4 NPT
-105	1/8	10-32 Taper	-4	3/8	1/4 NPT	-14	3/8	3/4 NPT
-106	1/8	1/8 NPT	-5	1/2	1/4 NPT	-15	1/2	3/4 NPT
-107	5/32	1/8 NPT	-6	1/4	3/8 NPT	-150	5/8	3/4 NPT
-108	3/16	1/8 NPT	-60	5/16	3/8 NPT	-16	3/4	3/4 NPT
-1	1/4	1/8 NPT	-7	3/8	3/8 NPT	-17	1	3/4 NPT
-110	5/16	1/8 NPT	-8	1/2	3/8 NPT	-170	3/4	1 NPT
-2	3/8	1/8 NPT	-9	1/4	1/2 NPT	-18	1	1 NPT

NYLON, POLYPROPYLENE and POLYETHYLENE TUBE/HOSE FITTINGS (continued)

Available in the following materials:

Material Code No.	Material Name	Material Code No.	Material Name
-2	Glass-filled Nylon, (black)	-78	Nylon 6/6, (black)
-11	Polypropylene, (natural)	-79	Polypropylene, (white)
-13	High Density Polyethylene, (natural)	-215	Nylon 6/6, (white)
-18	Nylon 6/6, (natural)		



BRANCH TEE

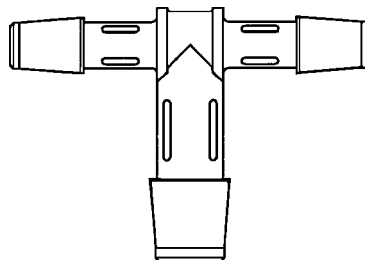
Part No. O382 - (Size Code No.) - (Material Code No.)

Size Code No.	Hose I.D.	Thread Size	Size Code No.	Hose I.D.	Thread Size	Size Code No.	Hose I.D.	Thread Size
-100	1/16	10-32 UNF	-21	3/16	1/4 NPT	-11	1/2	1/2 NPT
-101	3/32	10-32 UNF	-3	1/4	1/4 NPT	-110	5/8	1/2 NPT
-102	1/8	10-32 UNF	-30	5/16	1/4 NPT	-12	3/4	1/2 NPT
-103	1/16	10-32 Taper	-4	3/8	1/4 NPT	-13	1/4	3/4 NPT
-104	3/32	10-32 Taper	-5	1/2	1/4 NPT	-14	3/8	3/4 NPT
-105	1/8	10-32 Taper	-6	1/4	3/8 NPT	-15	1/2	3/4 NPT
-106	5/32	1/8 NPT	-60	5/16	3/8 NPT	-150	5/8	3/4 NPT
-107	3/16	1/8 NPT	-7	3/8	3/8 NPT	-16	3/4	3/4 NPT
-1	1/4	1/8 NPT	-8	1/2	3/8 NPT	-17	1	3/4 NPT
-2	3/8	1/8 NPT	-9	1/4	1/2 NPT	-170	3/4	1 NPT
-20	5/32	1/4 NPT	-10	3/8	1/2 NPT	-18	1	1 NPT

REDUCTION TEE

Part No. O405 - (Size Code No.) - (Material Code No.)

Size Code No.	Body (2)	Leg
-1	1/16	3/32
-2	1/16	1/8
-3	3/32	1/16
-4	3/32	1/8
-5	1/8	1/16
-6	1/8	3/32
-7	5/32	3/8
-8	1/4	3/8
-9	1/2	3/8
-10	5/8	3/8
-11	3/4	3/8
-12	3/4	1/2
-13	1	5/8



NYLON, POLYPROPYLENE and POLYETHYLENE TUBE/HOSE FITTINGS (continued)

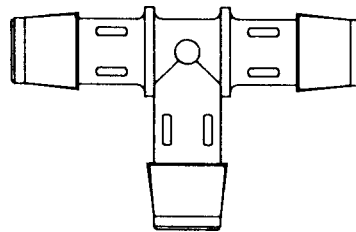
Available in the following materials:

Material Code No.	Material Name	Material Code No.	Material Name
-2	Glass-filled Nylon, (black)	-78	Nylon 6/6, (black)
-11	Polypropylene, (natural)	-79	Polypropylene, (white)
-13	High Density Polyethylene, (natural)	-215	Nylon 6/6, (white)
-18	Nylon 6/6, (natural)		

EQUAL BARBED TEE

Part No. O384 - (Size Code No.) - (Material Code No.)

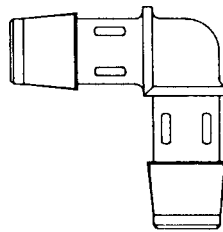
Size Code No.	Hose I.D.	Size Code No.	Hose I.D.
-100	1/16	-105	5/16
-101	3/32	-2	3/8
-102	1/8	-3	1/2
-103	5/32	-30	5/8
-104	3/16	-4	3/4
-1	1/4	-5	1



EQUAL BARBED ELBOW

Part No. O383 - (Size Code No.) - (Material Code No.)

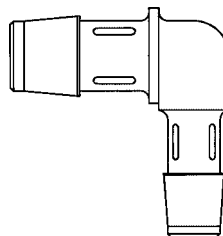
Size Code No.	Hose I.D.	Size Code No.	Hose I.D.
-100	1/16	-105	5/16
-101	3/32	-2	3/8
-102	1/8	-3	1/2
-103	5/32	-30	5/8
-104	3/16	-4	3/4
-1	1/4	-5	1



REDUCTION BARBED ELBOW

Part No. O406 - (Size Code No.) - (Material Code No.)

Size Code No.	Hose I.D. 1	Hose I.D. 2
-1	3/32	1/16
-2	1/8	1/16
-3	1/8	3/32
-4	3/8	1/4
-5	1/2	3/8



NYLON, POLYPROPYLENE and POLYETHYLENE TUBE/HOSE FITTINGS (continued)

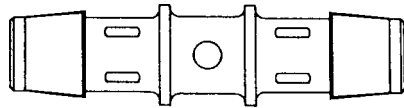
Available in the following materials:

Material Code No.	Material Name	Material Code No.	Material Name
-2	Glass-filled Nylon, (black)	-78	Nylon 6/6, (black)
-11	Polypropylene, (natural)	-79	Polypropylene, (white)
-13	High Density Polyethylene, (natural)	-215	Nylon 6/6, (white)
-18	Nylon 6/6, (natural)		

BARBED CONNECTOR / EQUAL LEG COUPLER

Part No. O385 - (Size Code No.) - (Material Code No.)

Size Code No.	Hose I.D.
-100	1/16
-101	3/32
-102	1/8
-103	5/32
-104	3/16
-1	1/4
-105	5/16
-2	3/8
-3	1/2
-30	5/8
-4	3/4
-5	1

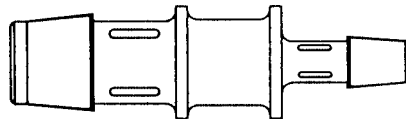


BARBED REDUCTION COUPLER

Part No. O387 - (Size Code No.) - (Material Code No.)

Designed with anti-rotational device. Clamps required for use with these hose fillings. (See page 311-312 for clamps.)

Size Code No.	Hose 1 I.D.	Hose 2 I.D.	Size Code No.	Hose 1 I.D.	Hose 2 I.D.
-1	3/32	1/16	-16	3/8	5/16
-2	1/8	1/16	-17	1/2	1/4
-3	1/8	3/32	-18	1/2	5/16
-4	5/32	1/16	-20	1/2	3/8
-5	5/32	3/32	-21	5/8	1/4
-6	5/32	1/8	-22	5/8	5/16
-7	3/16	1/16	-23	5/8	3/8
-8	3/16	3/32	-24	5/8	1/2
-9	3/16	1/8	-25	3/4	3/8
-10	3/16	5/32	-26	3/4	1/2
-11	1/4	1/8	-27	3/4	5/8
-12	1/4	5/32	-28	1	1/2
-13	1/4	3/16	-30	1	5/8
-14	5/16	1/4	-31	1	3/4
-15	3/8	1/4			



NYLON, POLYPROPYLENE and POLYETHYLENE TUBE/HOSE FITTINGS (continued)

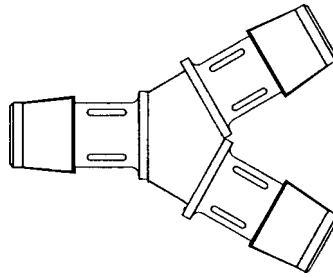
Available in the following materials:

Material Code No.	Material Name	Material Code No.	Material Name
-2	Glass-filled Nylon, (black)	-78	Nylon 6/6, (black)
-11	Polypropylene, (natural)	-79	Polypropylene, (white)
-13	High Density Polyethylene, (natural)	-215	Nylon 6/6, (white)
-18	Nylon 6/6, (natural)		

BARBED "Y" CONNECTOR

Part No. O407 - (Size Code No.) - (Material Code No.)

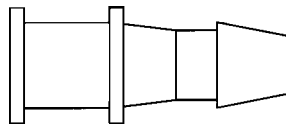
Size Code No.	Hose I.D.
-1	1/16
-2	3/32
-3	1/8
-4	3/16
-5	1/4
-6	3/8
-7	1/2
-8	5/8



BARBED PLUG

Part No. O409 - (Size Code No.) - (Material Code No.)

Size Code No.	Size
-1	1/16
-2	3/32
-3	1/8
-4	3/16
-5	1/4
-6	3/8



NYLON, POLYPROPYLENE and POLYETHYLENE TUBE/HOSE FITTINGS (continued)

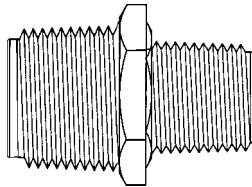
Available in the following materials:

Material Code No.	Material Name	Material Code No.	Material Name
-2	Glass-filled Nylon, (black)	-78	Nylon 6/6, (black)
-11	Polypropylene, (natural)	-79	Polypropylene, (white)
-13	High Density Polyethylene, (natural)	-215	Nylon 6/6, (white)
-18	Nylon 6/6, (natural)		

REDUCTION HEX CONNECTOR

Part No. O410 - (Size Code No.) - (Material Code No.)

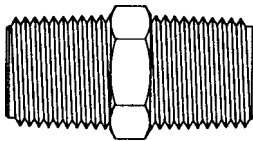
Size Code No.	Thread Size (2)	Thread Size (1)
-1	1/4 NPT	1/8 NPT
-2	3/8 NPT	1/8 NPT
-3	3/8 NPT	1/4 NPT
-4	1/2 NPT	1/8 NPT
-5	1/2 NPT	1/4 NPT
-6	1/2 NPT	3/8 NPT
-7	1 NPT	3/4 NPT



THREADED CONNECTOR

Part No. O386 - (Size Code No.) - (Material Code No.)

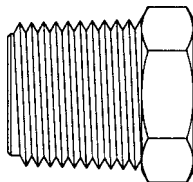
Size Code No.	Thread Size
-1	10-32 UNF
-2	10-32 Tapered
-3	1/8
-4	1/4
-5	3/8
-6	1/2
-7	3/4
-8	1



THREADED PLUG

Part No. O411 - (Size Code No.) - (Material Code No.)

Size Code No.	Thread Size
-1	10-32 UNF
-2	10-32 Tapered
-3	1/4-28 UNF
-4	M6
-5	1/16 NPT
-6	1/8 NPT
-7	1/4 NPT
-8	3/8 NPT
-9	1/2 NPT
-10	3/4 NPT
-11	1 NPT



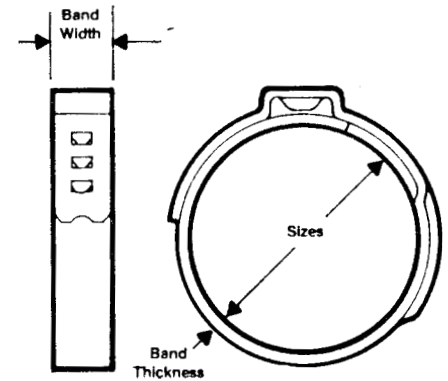
TUBE/HOSE CLAMPS

STEPLESS EAR CLAMP

Material: Stainless Steel 304 AISI (4301 DIN)

Part No. O390 - (Size Code No.)

Size Code No.	CLAMPING RANGE		Band Width		Band Thickness	
	Closed-Open m m	Closed-Open inches	m m	in.	m m	in.
-1	9.6 - 11.3	.378 - .445	5	.197	.5	.020
-2	10.8 - 13.3	.425 - .524	7	.276	.6	.024
-3	11.5 - 14.0	.453 - .551	7	.276	.6	.024
-4	14.5 - 17.0	.571 - .669	7	.276	.6	.024
-5	15.3 - 18.5	.602 - .728	7	.276	.6	.024
-6	16.6 - 19.8	.654 - .779	7	.276	.6	.024
-7	25.4 - 28.6	1.004 - 1.126	7	.276	.6	.024
-8	31.4 - 34.6	1.236 - 1.362	7	.276	.6	.024
-9	32.9 - 36.1	1.295 - 1.421	7	.276	.6	.024

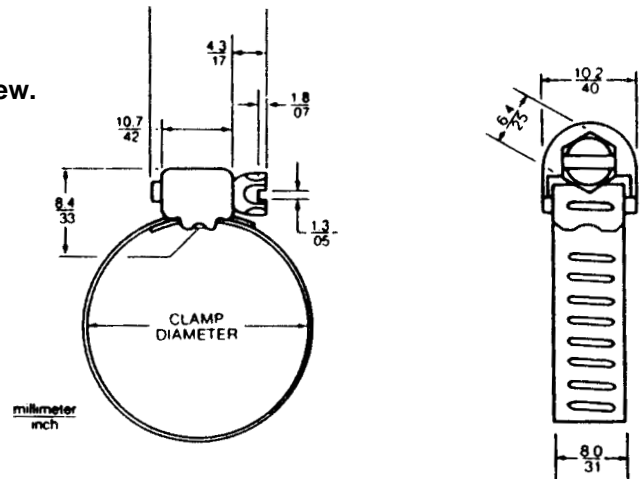


1/4" HEX HEAD SCREW CLAMPS

Material: Stainless steel band and housing.
Zinc-plated, yellow chromate, carbon steel screw.

Part No. O391 - (Size Code No.)

Size Code No.	CLAMPING DIAMETERS			
	Min. inches	Max. inches	Min. m m	Max. m m
-1	5/16	7/8	8	22
-2	1/2	1	12	25
-3	5/8	1 1/4	16	32
-4	5/8	1 1/2	16	38



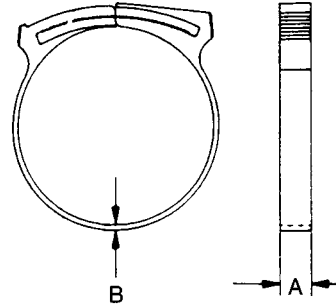
TUBE/HOSE CLAMPS (continued)

NYLON HOSE CLAMPS

Available Material: Nylon 6/6, (black or white)
Glass-filled Nylon, (black)

Tightens instantly with hand pliers. Can be reused without cutting.
Flammability Classification: 94V-2.
Temperature Index: 125°C.

Part No. C609 - (Size Code No.)



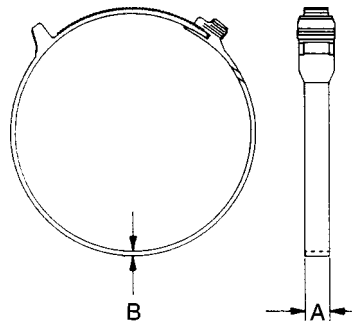
Nylon 6/6		Effective Clamp Range				Part Dimensions				Glass-filled Nylon
Size Code No.		Minimum		Maximum		A		B		Size Code No.
Black	White	Inches	m m	Inches	m m	Inches	m m	Inches	m m	Black
-1	-2	1/4	6,4	5/16	7,9	.125	3,2	.040	1,0	-35
-3	-4	11/32	8,7	13/32	10,3	.220	5,6	.070	1,8	-36
-5	-6	13/32	10,3	15/32	11,9					-37
-7	-8	15/32	11,9	17/32	13,5					-38
-9	-10	17/32	13,5	19/32	15,1					-39
-11	-12	19/32	15,1	21/32	16,7					-40
-13	-14	43/64	17,1	13/16	20,6					-41
-15	-16	3/4	19,1	7/8	22,2					-42
-17	-18	7/8	22,2	1	25,4	-43				
-19	-20	61/64	24,2	1 3/32	26,2	.310	7,9	.400	10,2	-44
-21	-22	1 1/32	26,2	1 3/16	30,2	-45				
-23	-24	1 1/4	31,8	1 7/16	36,5	-46				
-25	-26	1 13/32	35,7	1 5/8	41,3	.360	9,1	.400	10,2	-47
-27	-28	1 19/32	15,1	1 13/16	46,0	-48				
-29	-30	1 11/16	42,9	1 29/32	48,4	-49				
-31	-32	1 7/8	47,6	2 1/8	54,0	.400	10,2	.400	10,2	-50
-33	-34	2 1/8	54,0	2 3/8	60,3					-51

NYLON HOSE CLAMPS

Available Material: Glass-filled Nylon, (black)

Tightens instantly with hand pliers.

Part No. C610 - (Size Code No.)



Glass-filled Nylon(black)	Effective Clamp Range				Part Dimensions			
Size Code No.	Minimum		Maximum		A		B	
	Inches	m m	Inches	m m	Inches	m m	Inches	m m
-1	1 15/16	49,2	2 9/32	57,9	.440	11,2	.080	2,0
-3	2 1/4	57,2	2 7/8	73,0				
-5	2 3/4	69,9	3 5/8	92,1				
-7	3 1/2	88,9	4 1/4	108,0				
-9	4	101,6	5	127,0				