

## BEAM CLAMPS

**Material Code No.** -830  
**Standard Material** Isoplast™, 60% Long Glass Fiber, (natural)

**Part No. BHX200** - (Size Code No.) - (Material Code No.)

Size Code No.	Size
-1	3/8-16
-2	1/2-13
-3	5/8-11
-4	M10 x 1.5
-5	M12 x 1.75
-6	M16 x 2

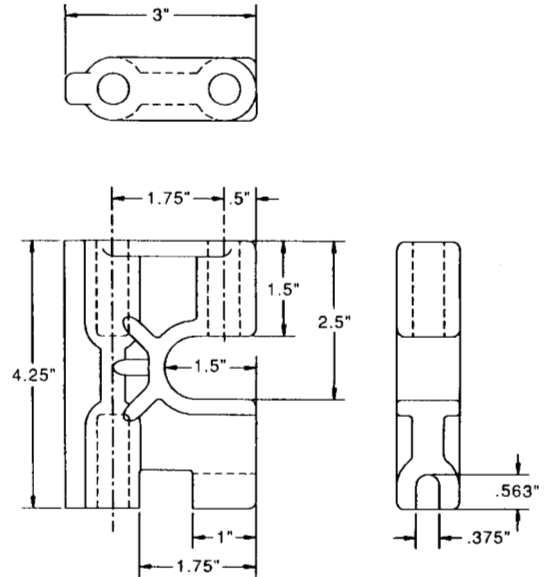
- 700 lb. Max Load Rating
- 2100 lb. Ultimate Load
- Chemically Resistant
- Reversible
- Weather Resistant
- Corrosion Resistant
- Unaffected by Sunlight

For use with 3/8-16, 1/2-13, 5/8-11, M10 x 1.5, M12 x 1.75 or M16 x 2 Threaded Rod or stainless steel Hex Head Cap Screws.

Threaded Rod and stainless steel Hex Head Cap Screws not included.

For Threaded Rod, (Part No. D200), see page 219 in this catalog.  
 For stainless steel Hex Head Cap Screws (Part No. BHX201) see next page.

Hex Head Cap Screws used for BHX200 are 2-1/2" in length.



## BEAM CLAMP, Small

**Part No. BHX202** - (Size Code No.) - (Material Code No.)

Size Code No.	Size
-1	3/8-16
-2	1/2-13
-6	M10 x 1.5
-7	M12 x 1.75

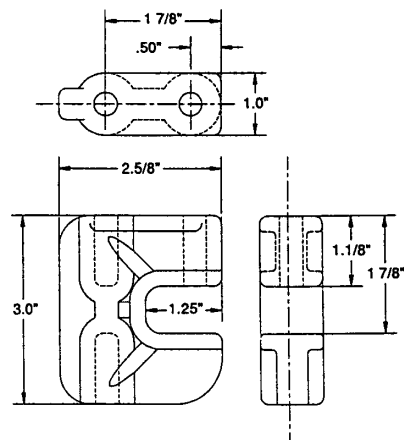
- 600 lb. Max Load Rating
- 1800 lb. Ultimate Load
- Chemically Resistant
- Reversible
- Weather Resistant
- Corrosion Resistant
- Unaffected by Sunlight

For use with 3/8-16, 1/2-13, M10 x 1.5 and M12 x 1.75 Threaded Rod or stainless steel Hex Head Cap Screws.

Threaded Rod and stainless steel Hex Head Cap Screws not included.

For Threaded Rod, (Part No. D200), see page 219 in this catalog.  
 For stainless steel Hex Head Cap Screws (Part No. BHX201) see next page.

Hex Head Cap Screws used for BHX202 are 2" in length.

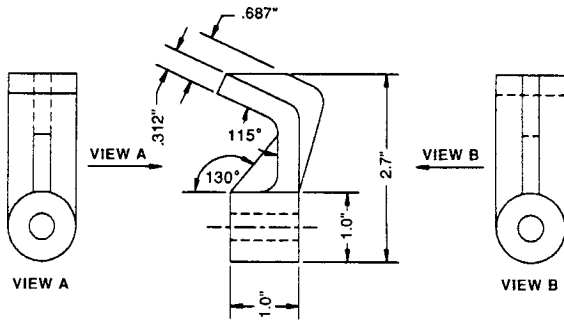


MOLDED CUSTOM PRODUCTS (continued)

**BEAM CLIP**, available with Beam Clamp

**Material Code No.**      **Standard Material**  
 -830                      Isoplast™, 60% Long Glass Fiber, (natural)

**Part No. BHX210**



- Chemically Resistant
- Reversible
- Weather Resistant
- Corrosion Resistant
- Water Proof
- Unaffected by Sunlight

**HEX HEAD CAP SCREW**

Standard Material:  
 316 Stainless Steel

**Part No. BHX201** - (Size Code No.)

Size Code No.	Size	Size Code No.	Size
-1	3/8-16 x 2	-6	M10 x 1.5 x 50mm
-2	3/8-16 x 2-1/2	-7	M10 x 1.5 x 60mm
-3	1/2-13 x 2	-8	M12 x 1.75 x 50mm
-4	1/2-13 x 2-1/2	-9	M12 x 1.75 x 60mm
-5	5/8-11 x 2-1/2	-10	M16 x 2 x 60mm

**THREADED ROD**

Standard Material:  
 Fiberglass, Vinyl Ester (-214)

**Part No. D201** - (Size Code No.) - 214

Size Code No.	Size
-1	3/8-16
-6	1/2-13
-8	5/8-11
-10	3/4-10
-12	1-8