

EYE BOLTS

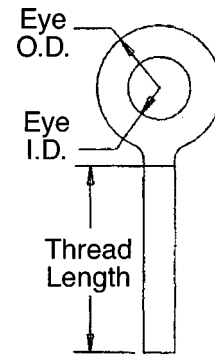
Available in the following materials:

Material Code No.	Material Name
-60	Nylon 6/6, 30% Short Glass-filled
-74	Isoplast™, 40% Long Glass Fiber, (natural)
-111	Polypropylene, Glass-filled

EYE BOLTS

Part No. B199 - (Size Code No.) - (Material Code No.)

Size Code No.	Thread Size	Thread Length	Size Code No.	Thread Size	Thread Length	Size Code No.	Thread Size	Thread Length
-10	1/4 - 20	0.750"	-50	3/8 - 16	1.000"	-100	1/2 - 13	1.750"
-15	1/4 - 20	0.875"	-55	3/8 - 16	1.250"	-110	5/8 - 11	0.750"
-20	1/4 - 20	1.000"	-60	3/8 - 16	1.500"	-115	5/8 - 11	0.875"
-25	1/4 - 20	1.250"	-70	1/2 - 13	0.750"	-120	5/8 - 11	1.000"
-30	1/4 - 20	1.500"	-75	1/2 - 13	0.875"	-125	5/8 - 11	1.250"
-40	3/8 - 16	0.750"	-80	1/2 - 13	1.000"	-140	5/8 - 11	1.750"
-45	3/8 - 16	0.875"	-85	1/2 - 13	1.250"			



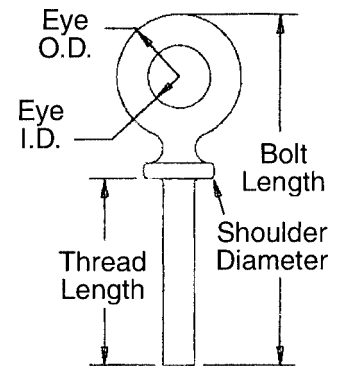
EYE BOLT

Size	Eye I.D.	Eye O.D.
1/4 - 20	0.500"	1.000"
3/8 - 16	0.750"	1.500"
1/2 - 13	1.000"	2.000"
5/8 - 11	1.250"	2.500"

SHOULDER EYE BOLTS

Part No. B203 - (Size Code No.) - (Material Code No.)

Size Code No.	Thread Size	Thread Length	Size Code No.	Thread Size	Thread Length	Size Code No.	Thread Size	Thread Length
-10	1/4 - 20	0.750"	-50	3/8 - 16	1.000"	-110	5/8 - 11	0.750"
-15	1/4 - 20	0.875"	-60	3/8 - 16	1.500"	-115	5/8 - 11	0.875"
-20	1/4 - 20	1.000"	-70	1/2 - 13	0.750"	-120	5/8 - 11	1.000"
-25	1/4 - 20	1.250"	-75	1/2 - 13	0.875"	-125	5/8 - 11	1.250"
-30	1/4 - 20	1.500"	-80	1/2 - 13	1.000"	-140	5/8 - 11	1.750"
-40	3/8 - 16	0.750"	-85	1/2 - 13	1.250"			
-45	3/8 - 16	0.875"	-100	1/2 - 13	1.750"			



SHOULDER EYE BOLT

Size	Eye I.D.	Eye O.D.	Shoulder Dia.
1/4 - 20	0.500"	1.000"	0.563"
3/8 - 16	0.750"	1.500"	0.813"
1/2 - 13	1.000"	2.000"	1.125"
5/8 - 11	1.250"	2.500"	1.250"