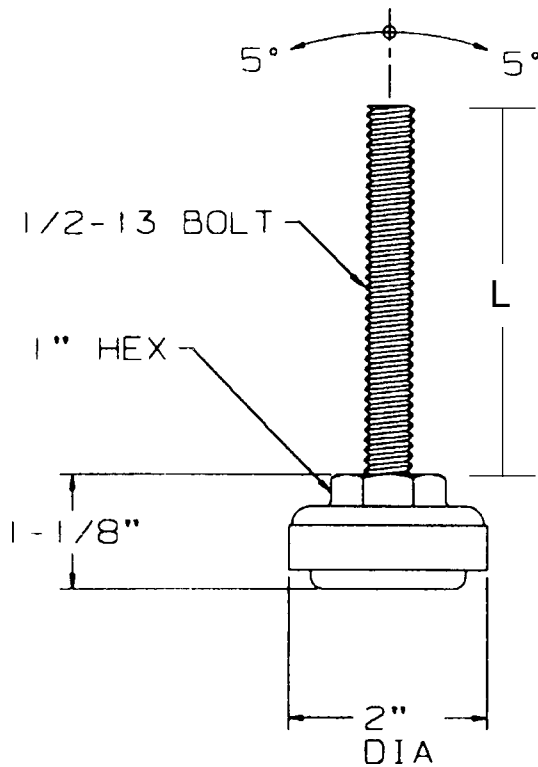


LEVELING FOOT with Stainless Steel Swiveling Screw



1/2-13 SELF-LEVELING FOOT

Part No. FT200 - (Size Code No.) - (Material Code No.)

Available in the following materials:

Material Code No.	Material Name
-124	Polypropylene, Hi-Impact (natural)
-124WH	Polypropylene, Hi-Impact (white)

Foot is also available in a variety of colors.

Size Code No.	Screw Length
-1	2-1/4"
-5	2-1/2"
-10	8-1/2"

Other lengths available.

Screw is 316 stainless steel.
Stainless steel screw can be coated upon request.

Recommended maximum weight load per foot: 700lbs