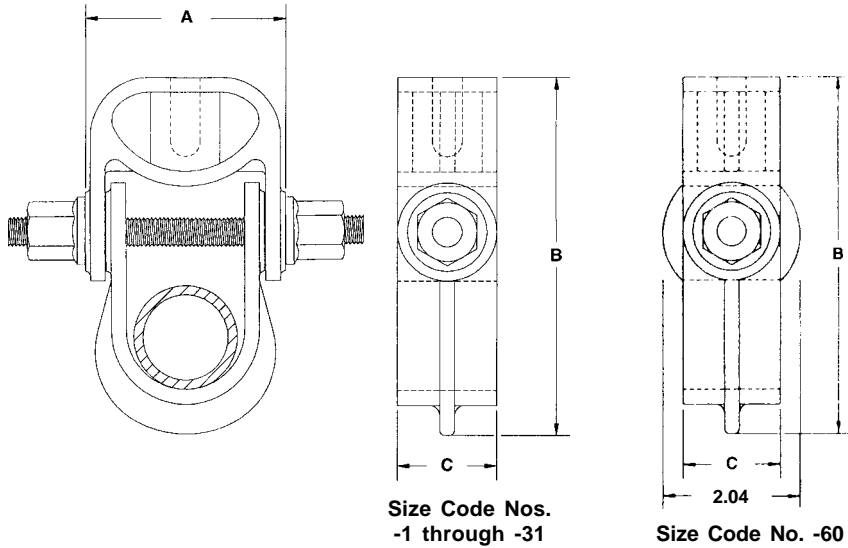


PIPE HANGER

Available in the following materials:

Material Code No.	Material Name
-74	Isoplast™, 40% Long Glass Fiber, (natural)
-81	Isoplast™, 40% Long Glass Fiber, (Gray)
-218	Ryton, PPS, 40% Glass-filled, Fire Retardant, (black)



Part No. PH100 - (Size Code No.) - (Material Code No.)

Size Code No.	Size (inches)	A	B	C	Tapped
-1	3/4 to 1	2.53	4.52	1.25	3/8
-2	3/4 to 1	2.53	4.52	1.25	1/2
-15	1-1/4 to 1-1/2	3.06	5.14	1.25	3/8
-16	1-1/4 to 1-1/2	3.06	5.14	1.25	1/2
-20	2	3.68	6.52	1.25	3/8
-21	2	3.68	6.52	1.25	1/2
-30	3 to 4	7.04	10.00	1.50	1/2
-31	3 to 4	7.04	10.00	1.50	3/8
-60	6	9.36	12.33	1.50	1/2