

MOLDED CUSTOM PRODUCTS

Designed and Manufactured by Craftech Industries.

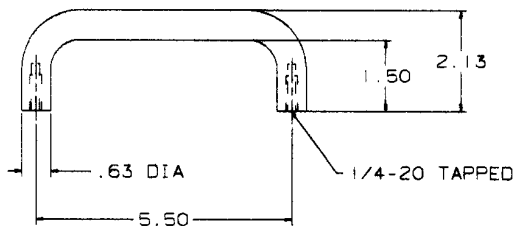
CORROSION RESISTANT HANDLES

Available in the following material:

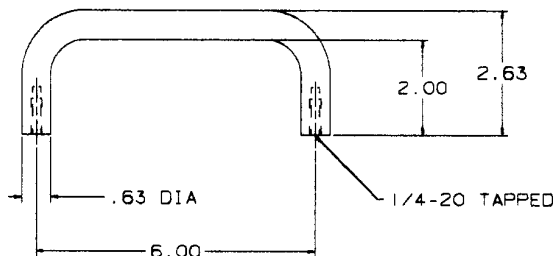
Material Code No.	Material Name
-46	Polycarbonate, (clear)
-113	Polypropylene, 40% Glass-filled, (black)
-116	Polypropylene, 40% Glass-filled, (white)
-741	Isoplast™, 40% Long Glass Fiber, (black)
-827	Isoplast™, 40% Long Glass Fiber, (white)

Handles are also available in a variety of colors.

Part No. HD200 - (Size Code No.) - (Material Code No.)

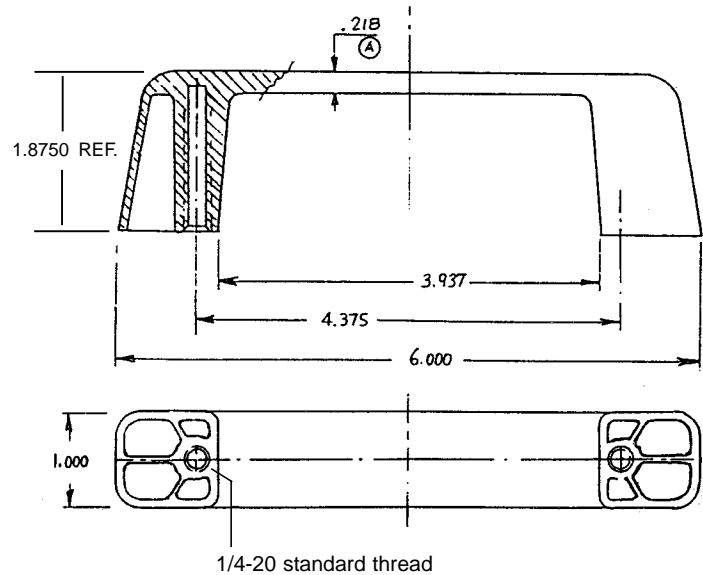


Size Code No. -2



Size Code No. -3

Part No. HD100 - 10 - (Material Code No.)



8 Dock Street, PO Box 636, Hudson, NY 12435

Phone - 800-833-5130 or 518-828-5001 Fax - 518-828-9468

Website - www.craftechind.com