

EXTENDED REACH U-BOLTS

"Extended reach" u-bolts are available in 6 different sizes (see drawings and charts below).

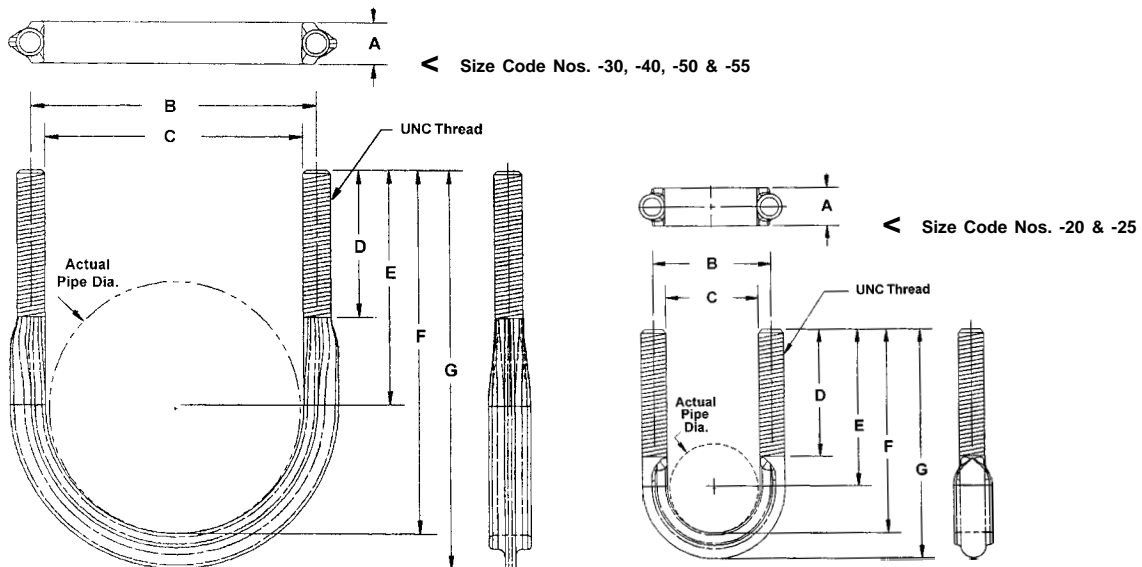
Material offered gives u-bolts corrosion resistance and strength.

Available in the following materials:

Material Code No.	Material Name
-81	Isoplast™, 40% Long Glass Fiber, (grey)

Part No. B300 - (Size Code No.) - 81

Size Code No.	U-Bolt Size	A	B	C	D	E	F	G	Pipe DIA	UNC Thrd
-20	1"	9/16	1-3/4	1-3/8	1-7/8	2-5/16	3	3-3/8	1.315	3/8-16
-25	1-1/2"	9/16	2-3/8	2	2-1/8	2-21/32	3-21/32	4-1/32	1.900	3/8-16
-30	2"	3/4	2-15/16	2-7/16	2-3/8	3-5/32	4-3/8	5	2.375	1/2-13
-40	3"	3/4	4-1/8	3-5/8	2-5/8	3-11/16	5-1/2	6-1/8	3.500	1/2-13
-50	4"	3/4	5-1/8	4-5/8	2-5/8	4-3/16	6-1/2	7-1/8	4.500	1/2-13
-55	6"	7/8	7-3/8	6-3/4	3-1/4	5-3/4	9-1/8	9-7/8	6.625	5/8-11



U-BOLTS

Available in the following materials:

Material Code No.	Material Name
-81	Isoplast™, 40% Long Glass Fiber, (grey)

Part No. BU220 - (Size Code No.) - 81

Size Code No.	Pipe Nom. Dia. (in.)	Dimensions					Load Ratings	
		A	B	C	D	TL	Maximum Rec. Loading (lbs.)	Maximum Rec. Torque (in/lbs.)
-1	1/2	0.93	0.375	1.56	2.41	1.25	75	20
-2	3/4	1.12	0.375	1.66	2.60	1.25	75	20
-3	1	1.37	0.375	1.78	2.85	1.25	75	20
-4	1 1/4	1.68	0.375	1.94	3.16	1.25	75	20
-5	1 1/2	2.00	0.375	2.10	3.47	1.25	75	20
-6	2	2.43	0.500	2.46	4.18	1.50	150	40
-7	2 1/2	2.93	0.500	2.71	4.68	1.50	150	40 </td
-8	3	3.56	0.500	3.03	5.31	1.50	150	40
-9	3 1/2	4.06	0.500	3.28	5.81	1.50	150	40
-10	4	4.56	0.500	3.53	6.31	1.50	150	40

